

# Revolving Signal Lamp

Ø86mm; Bulb Type with Buzzer

# TTB



## SALIENT FEATURES

- ◆ Ø86mm
- ◆ Clear Lens
- ◆ 40dB Buzzer
- ◆ 4 - Lens Colors
- ◆ Replaceable Bulb
- ◆ Heavy Duty Belt Drive

## Model Number Legend

**TTB**----

1      2 3    4 5

### 1. Series

TTB

### 2. Type

D: Stud Mount

### 3. Indication

R: Revolving Reflector  
S: Revolving Reflector + Buzzer

### 4. Lens Color

R: Red  
Y: Yellow  
G: Green  
B: Blue

### 5. Power Supply

12DC: 12VDC  
24DC: 24VDC  
220AC: 110 ~ 220VAC

### Example:

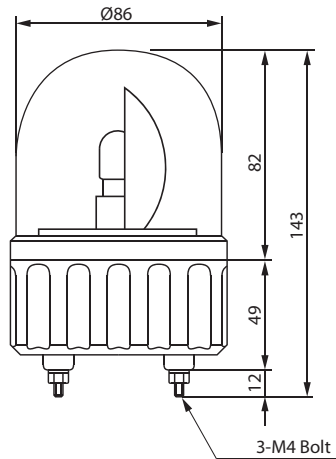
TTB-DS-R-24DC

TTB Series - Stud Mounting Type, Revolving Reflector + Buzzer - Clear Red Lens - 24VDC power supply

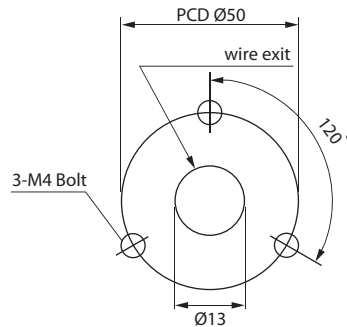
**NOTE:** Contact us for models not shown in catalogue.

Models	TTB-DR-_-12DC	TTB-DS-_-12DC
	TTB-DR-_-24DC	TTB-DS-_-24DC
	TTB-DR-_-220AC	TTB-DS-_-220AC
Mounting	Direct Stud Mounting	
Lens Color	Red, Green, Yellow (Amber), Blue	
Bulb Type	Incandescent bulb with Single contact & Bayonet Base	
Bulb Ratings	12V8W	
	24V8W	
	220V8W	
Power Supply	12VDC ±10% ripple	
	24VDC ±10% ripple	
	100 ~ 240 VAC	
Current Consumption	12VDC: 0.7A; 24VDC: 0.3A; 220VAC: 0.03A	
Buzzer dB	Max. 40dB at 1 meter	
Rotation Rate	130/ min.	
Shock Resistance	10 G- X,Y, Z three directions	
Ambient Temperature	Operation: -25° ~ 50°C; Storage: -30° ~ 60°C (non- freezing; non- condensing)	
Ambient Humidity	Operation: 35 ~ 85% RH; Storage: 35 ~ 90% RH (non- condensing)	
Protection Class	IP56	
Material	Housing: ABS, Lens: Acrylic or Eqv., Pole: Coated MS tube	

## Dimension Drawing



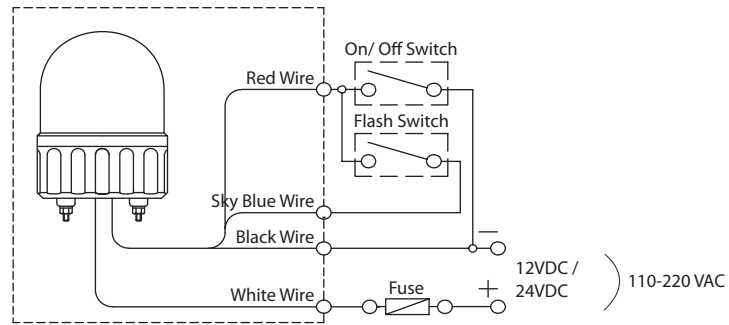
Stud Mounting Arrangement



All dimensions are in mm

Connection

TTB



Sensing

Control

Weighing

HMI's

PLCs

Remote I/O Modules

Tower Lamps

Exclusively Represented by:

Intech Systems Chennai Pvt Ltd  
 S-2, Guindy Industrial Estate  
 Chennai - 600 032. Ph: 4353 8888  
 Email: [info@intechchennai.com](mailto:info@intechchennai.com)

**INNO**<sup>TM</sup>  
[www.inno.sg](http://www.inno.sg)

© INNO, Rights Reserved  
 In the interest of continuous product improvement  
 specifications are subject to change without notice

Cat. No. TTB-113

[www.inno.sg/ttb](http://www.inno.sg/ttb)

Components